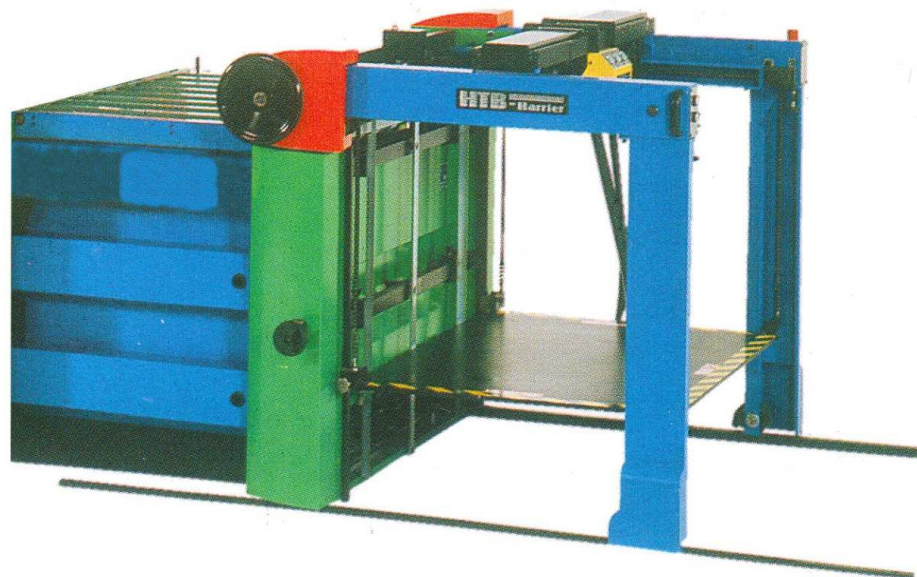


SVECIA

HTB

HTB Harrier/Anleger



Beuerlein

SVECIA Siebdruckmaschinen-Service

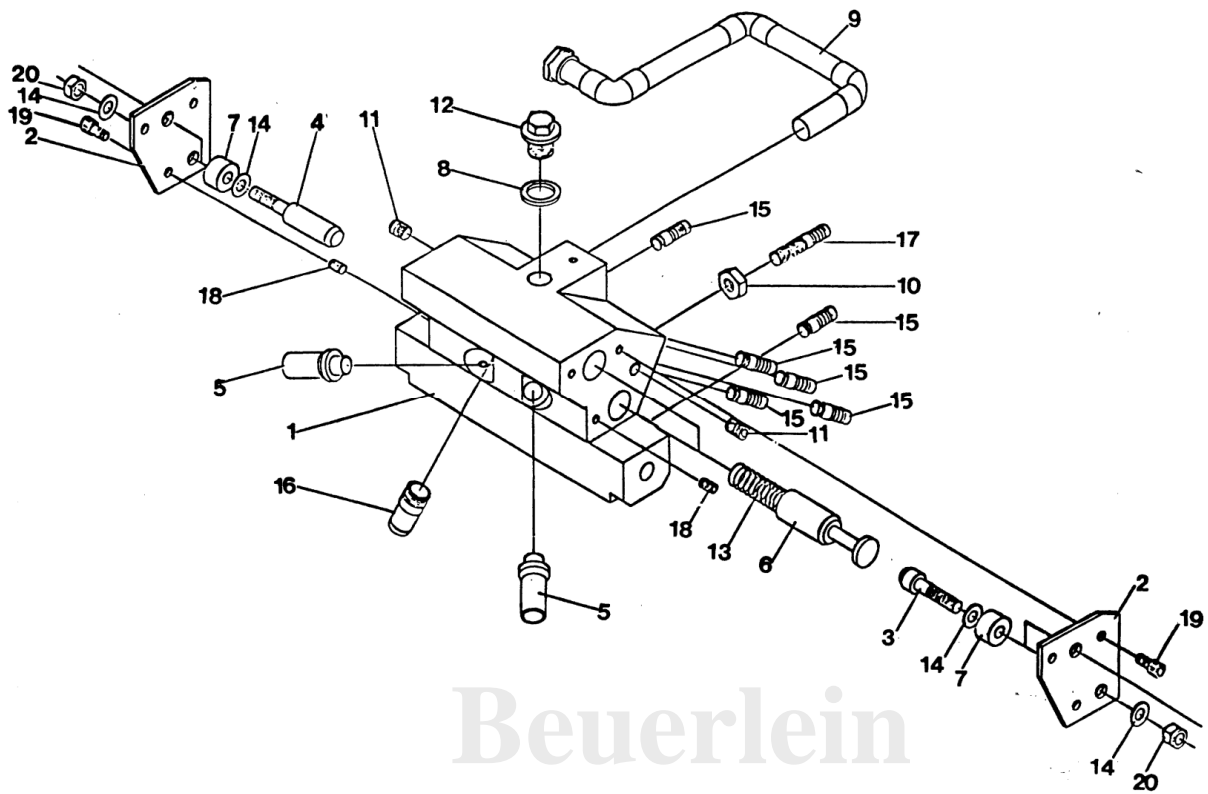
Tel.: 0049 9383 9020360
Fax.: 0049 9383 202217

E-Mail: info@svecia.de
Homepage: www.svecia.de

SVECIA	Table of contents/Inhaltsverzeichnis	
HTB		

Beuerlein Svecia spare parts	13-01
Control valve block assembly	13-5000
Lifting sucker assembly	13-5001
Pile foot/Forwarding assembly	13-5002
Control mtg bar	13-5003
Blower assembly	13-5005
Separator head side frame	13-5006
Separator head side frame	13-5007
Separator head assembly	13-5008
Separator head assembly	13-5022
Shaft drive assembly (feeder)	601-5105

100 Elektrodiagram/ wiring diagram 	109 Warnhupe/ signal horn 	110 Lüfter/ fan 	211 HTB Saugkopfschalter/ sucker head switch
157 Kammachsensteuerung 20220/ cam axis controller 20220 	144 SO47 	113 Kamm Position./ cam positioner 	114 Drehgeber/ rotary encoder
444 HTB Bürstenrad/ brush wheel 	445 HTB Gummirad/ rubber wheel 	446 HTB Kugelreiter/ ball rider 	447 HTB Sauger/ sucker
448 HTB Trennfinger/ separator 	449 HTB Übergabebloch/ hand over plate 	450 HTB Transportband/ transport.belt 	
301 Vacuumpumpe Anleger/ vacuum pump 	305 Rakelmotor\ Band-Antriebsmotor/ squeege motor\ belt drive motor 	542 Ketten/ Chains 	



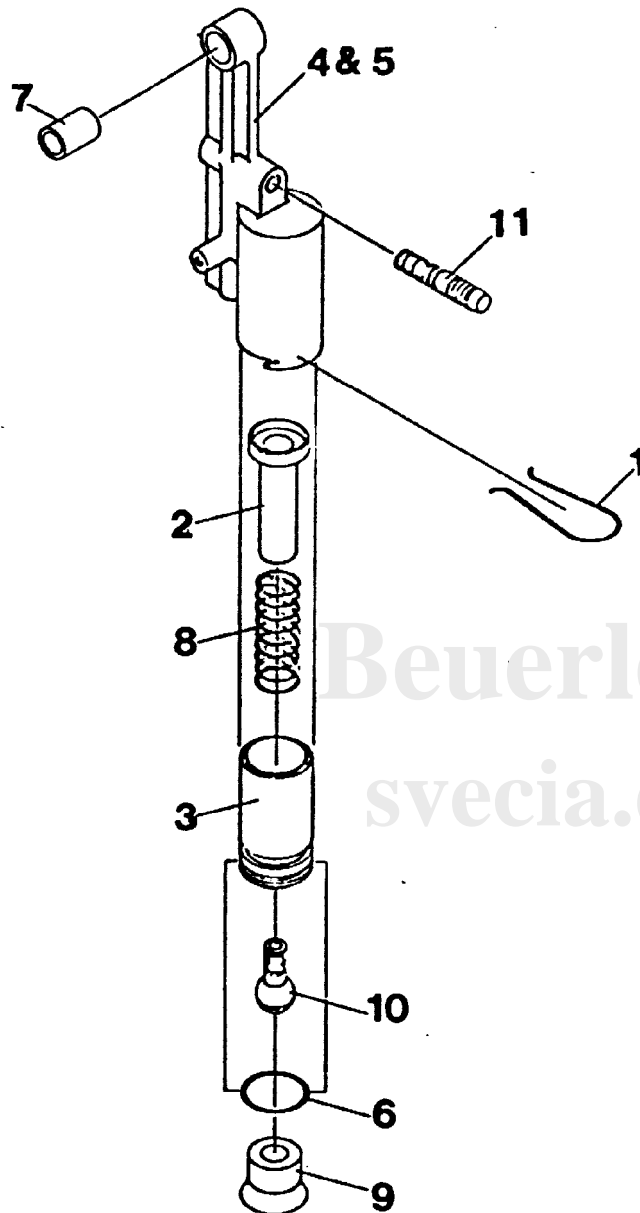
Beuerlein
svecia.de

SVECIA	Machine unit description	Page
HTB	Control valve block assembly	13-5000

Item	Part No.	Description
1	013-0003	Control Valve Block
2	013-0006	End Plate
3	013-0007	End Stop (short)
4	013-0008	End Stop (long)
5	013-0009	Nipple
6	013-0010	Servo Piston
7	013-0011	End Plug
8	013-0033	Washer, Nylon
9	013-5009	Hose Connector Assy
10	852-0014	Brass locknut T66 1/8 BSP
11	860-0011	Plug 1/8"x3/8" BSP
12	860-0013	Brass Plug
13	901-0001	Servo Piston Spring
14	901-0027	Disc Spring
15	910-0001	Nipple (short)
16	910-0002	Nipple 16mm o/d
17	910-0003	Nipple long
18	M6x8 long	Grub Screw
19	M6x10 long	Cap Head Screw
20	M8	lock Nut

Beuerlein
svectia.de

	Machine unit description Lifting sucker assembly	Page 13-5001
HTB		

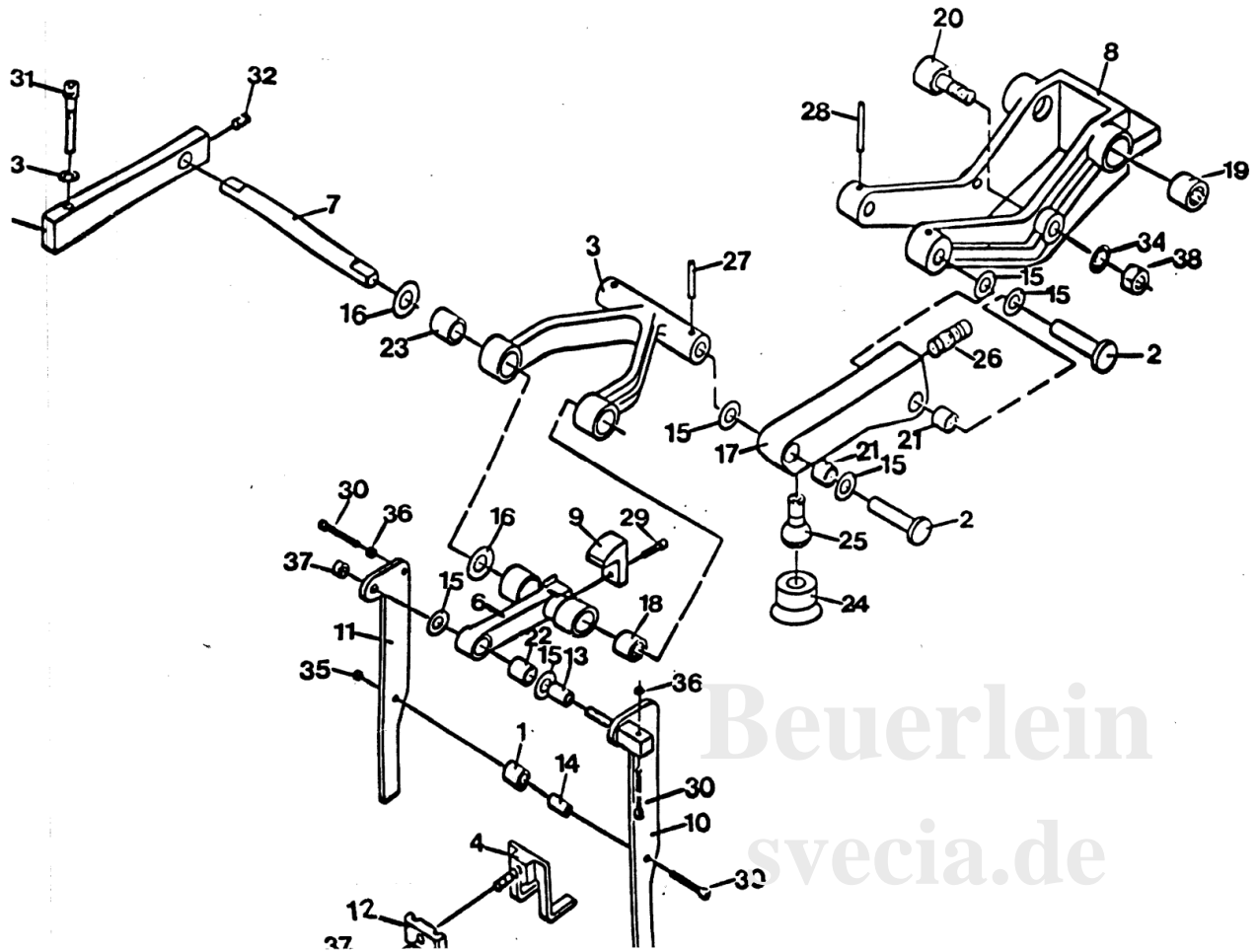


Beuerlein
svecia.de

SVECIA	Machine unit description	Page
HTB	Lifting sucker assembly	13-5001

Item	Part no	Description
1	013-0028	Spring Clip
2	013-0053	Lifting Sucker Piston
3	013-0122	Cylinder liner
4	013-0123	Lifting Sucker Body
5	013-0123	Lifting Sucker Body
6	815-0012	Dowty 'o'Ring
7	853-0080	Oilite Bush
8	901-0002	Lifting Sucker Spring
9	903-0001	Rubber Sucker
10	903-0003	Sucker Nipple
11	910-0001	Nipple Short

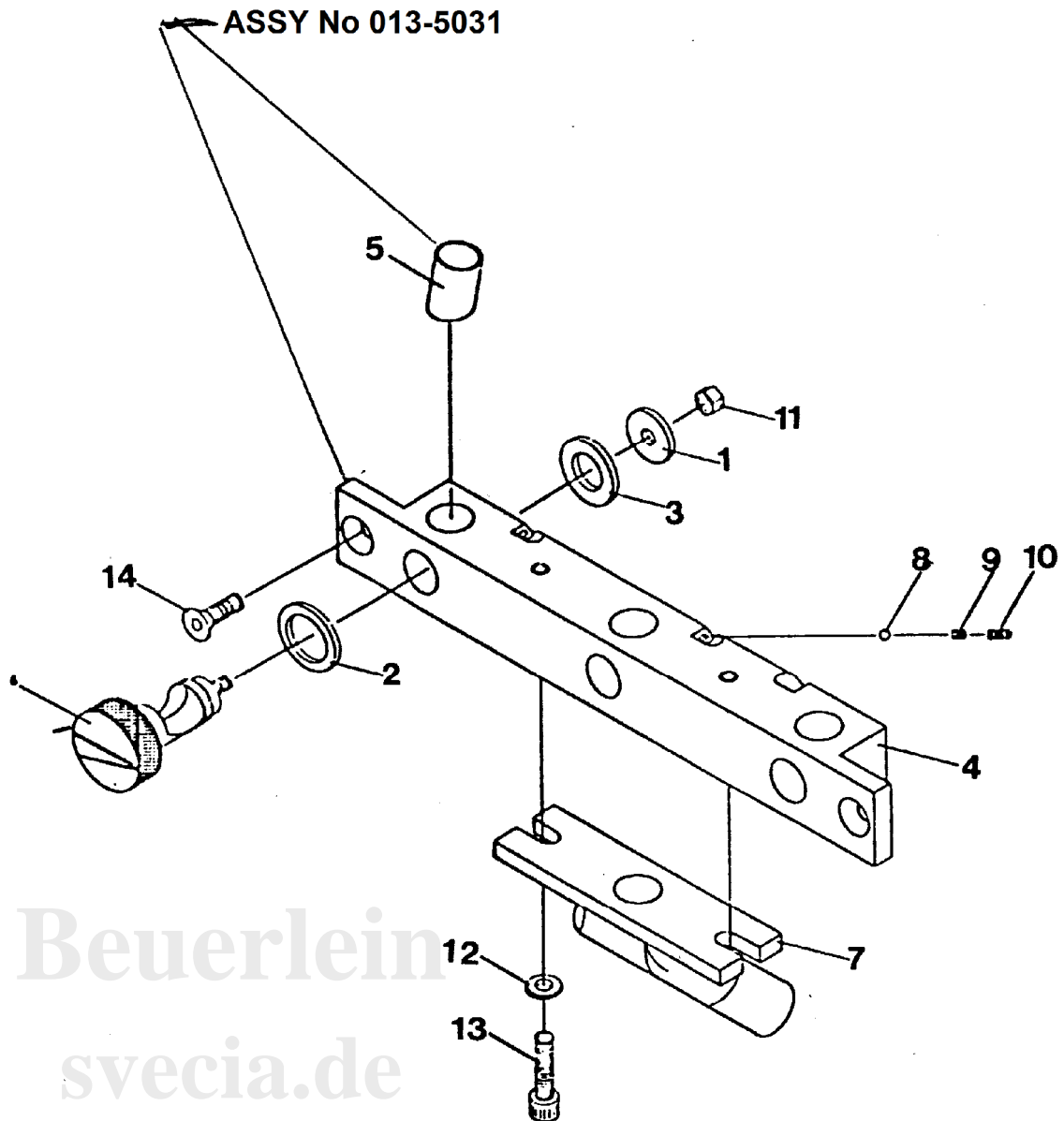
Beuerlein
svecia.de



SVECIA	Machine unit description	Page
HTB	Pile foot/Forwarding assembly	13-5002

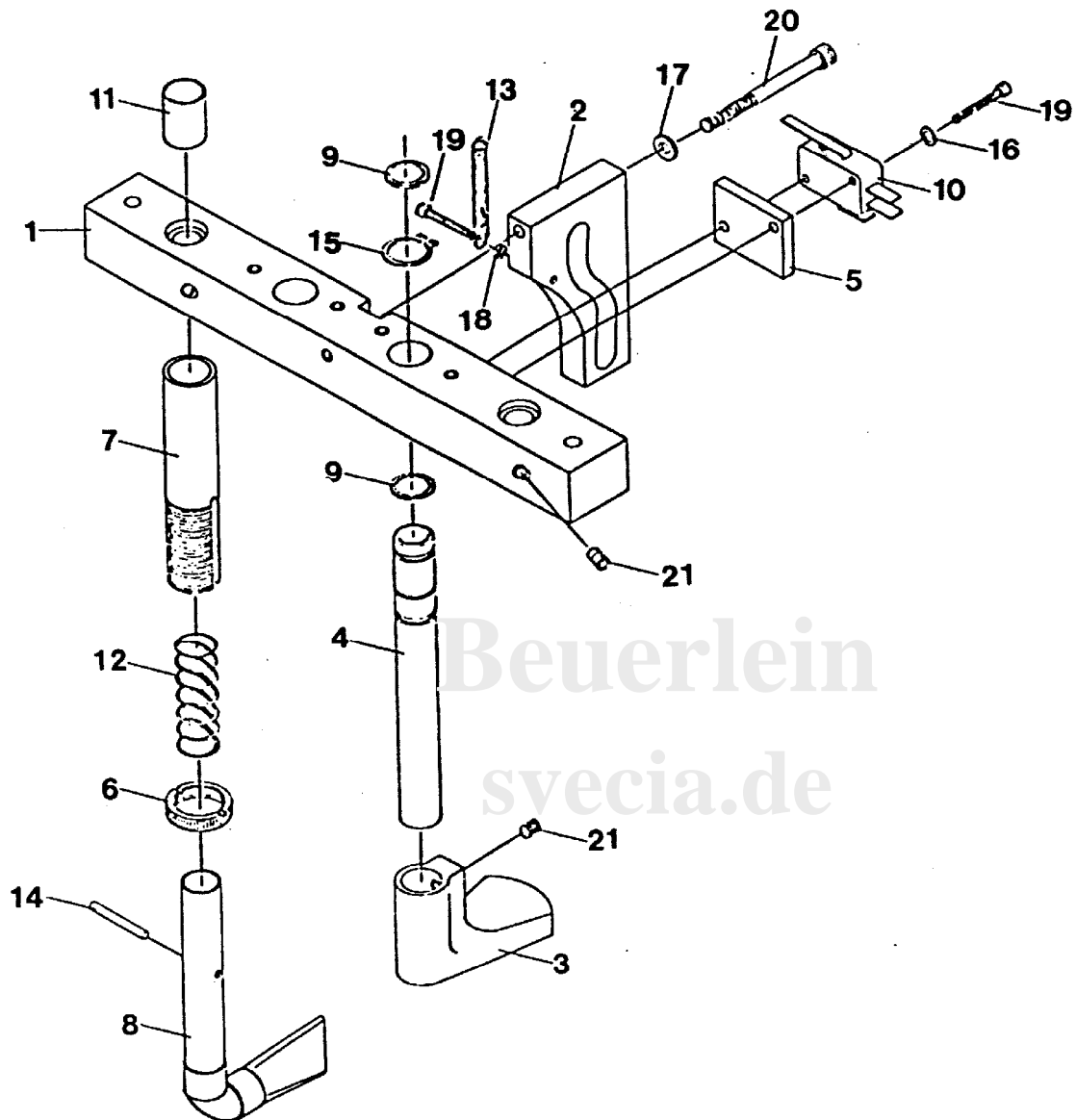
Item	Part no	Description
1	013-0022	Roller
2	013-0026	Pivot Pin
3	013-0043	Forward Sucker Support Arm
4	013-0047	Pile Foot
5	013-0049	Shaft Support Arm
6	013-0051	Pile Foot Actuation lever
7	013-0056	Pivot Pin
8	013-0073	Forward Sucker Actuation lever
9	013-0074	Pile Foot Cam Piece
10	013-0124	Pile Foot Mounting lever
11	013-0125	Pile Foot Mounting lever
12	013-0126	Clamp Plate
13	013-0129	Spacer
14	013-0130	Spacer
15	013-0134	Spacer
16	013-0135	Spacer
17	013-0137	Sucker Carrier Forward
18	811-0040	Needle Bearing
19	811-0042	Needle Bearing
20	813-0002	Cam Follower
21	853-0077	Oilite Bush
22	853-0078	Oilite Bush
23	853-0080	Oilite Bush
24	903-0001	Rubber Sucker
25	903-0021	Sucker Nipple
26	910-0001	Brass Nipple
27	3 dia x 20	leg Parallel Pin
28	3 dia x 25	long Parallel Pin
29	M3x10	Cap Head Screw
30	M3x20	Cap Head Screw
31	M5x30	Cap Head Screw
32	M5x8	Grub Screw
33	M5	Plain Washer
34	M8	Shockproof Washer
35	M3	Nyloc Nut
36	M3	Full Nut
37	M5	Nyloc Nut
38	M8	Full Nut

Beuerlein
svectia.de



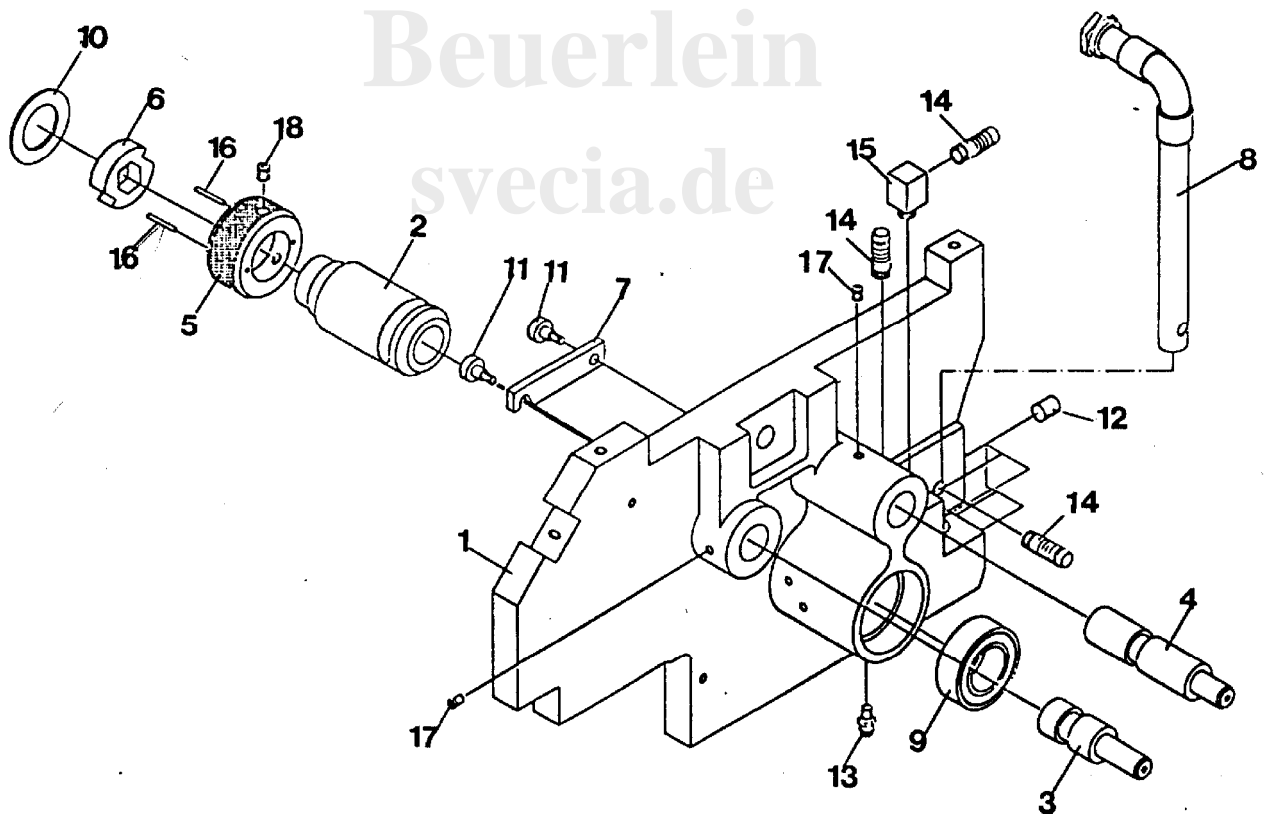
SVECIA	Machine unit description	Page
HTB	Control mtg bar	13-5003

Item	Part no	Description
1	013-0017	Shut Off Valve Back Plate
2	013-0033	Washer,Nylon
3	013-0033	Washer,Nylon
4	013-0044	Control Valve Bar
5	013-0059	Pipe ewd.
6	013-0062	Shut Off Valve Blast
7	013-0078	Forwarding Blast Manifoldr
8	814-0009	1/8" Steel Ball
9	901-0050	Compression
10	4BAx6 long	Grub Screw
11	M5	Nyloc nut
12	M6	Plain Washer
13	M6x20	Cap Head Screw
14	M6x16	Countersunk Head Screw
15	013-5031	Control Valve Bar Assy



SVECIA	Machine unit description	Page
HTB	Blower assembly	13-5005

Item	Part no	Description
1	013-0016	Blower Support Bar
2	013-0046	Pile Foot Guide Track
3	031-0077	Forwarding Blower Head
4	013-0098	Forwarding Blast Tube
5	013-0142	Spacer Micro Switch
6	013-0144	Adjusting Ring Forward Blower
7	013-0145	Separator Blower Tube Out
8	013-0178	Separation Blower Fluff
9	815-0049	Dowty o Ring
10	820-0049	Micro Switch
11	861-0006	Copper Tube
12	901-0017	Compression Spring
13	901-0052	Tension Spring
14	3mm dia	Dower Pin
15	5mm dia	External Clip
16	3mm	Plain Washer
17	5mm	Plain Washer
18	3mm	Lock Nut
19	M3x20	Cap Head Screw
20	M5x50	Cap Head Screw
21	M5x6	Grub Screw

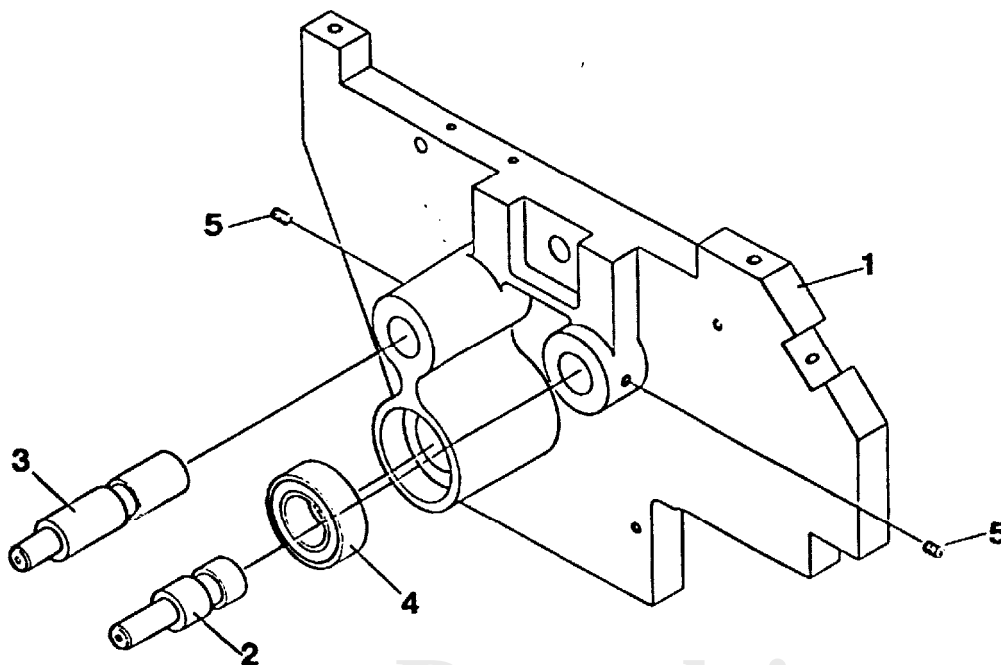


	Machine unit description	Page
HTB	Separator head side frame	13-5006

Item	Part No	Description
1	013-0001	Separator Head Side Frame N/S M/C
2	013-0005	Rotor Valve
3	013-0057	Pivot Pin, Lift Suck ACT
4	013-0058	Pivot Pin, Forward Suck ACT
5	013-0066	Separator Drive Collar
6	013-0067	Separator Drive Disc
7	013-0096	Latch (Rotor Valve)
8	013-5017	Hose Connector
9	810-0058	Bearing
10	812-0067	Thrust Washer
11	852-0009	Shoulder Screw
12	860-0011	Plug
13	885-0021	Nipple
14	910-0001	Brass Nipple
15	910-0009	90 Degrees Elbow
16	3/32x16	Groverlock
17	M5x6	Grub Screw
18	M6x6	Grub Screw

Beuerlein
svencia.de

	Machine unit description Separator head side frame	Page 13-5007
HTB		

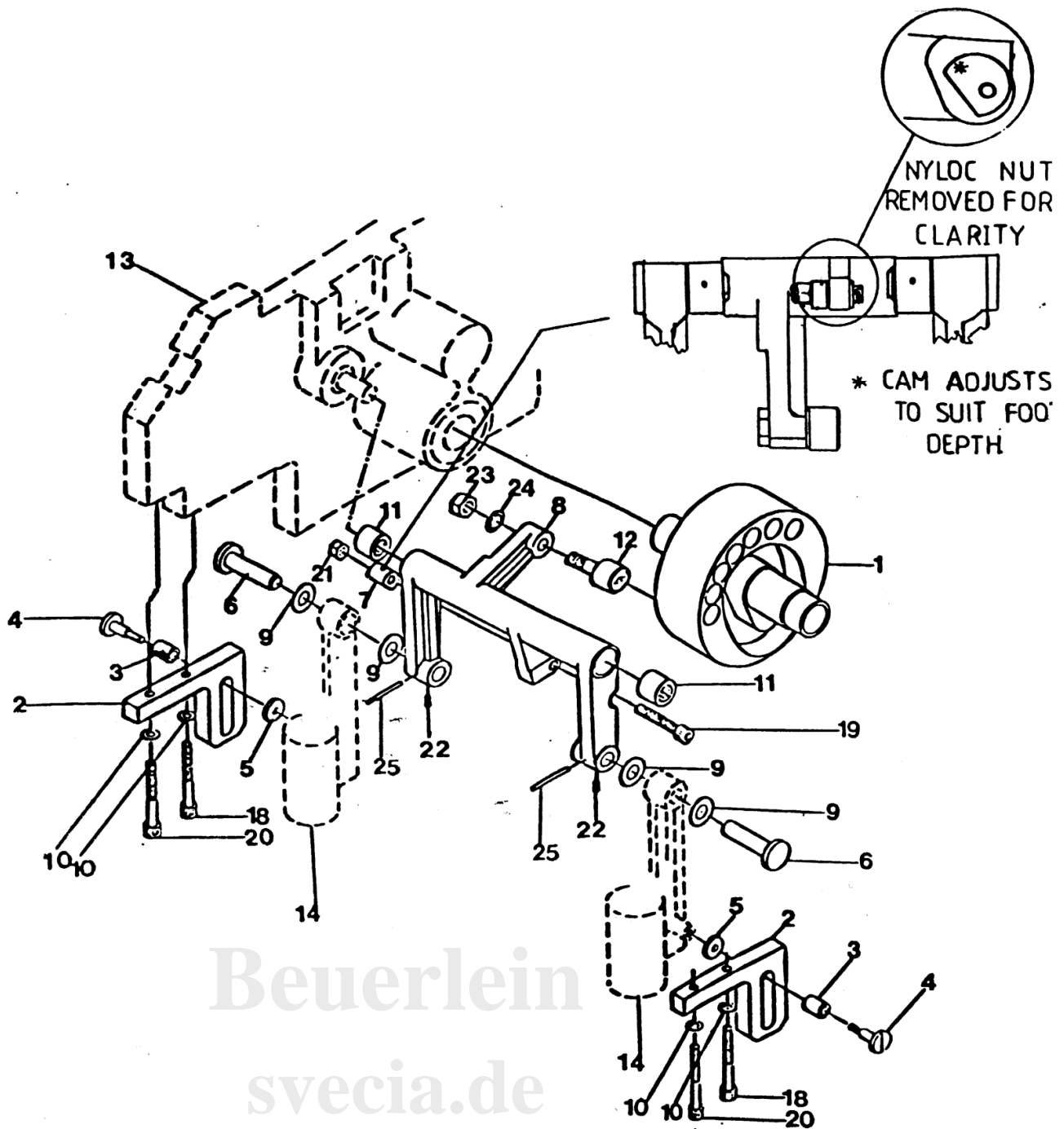



Beuerlein
svecia.de

	Machine unit description Separator head side frame	Page 13-5007
HTB		

Item	Part No	Description
1	013-0002	Separator Head Side Frame O/S M/C
2	013-0057	Pivot Pin, Lift Suck Act
3	013-0058	Pivot Pin, Forward Sucker Act
4	810-0058	Bearing
5	M5x6	Grub Screw

Beuerlein
svecia.de

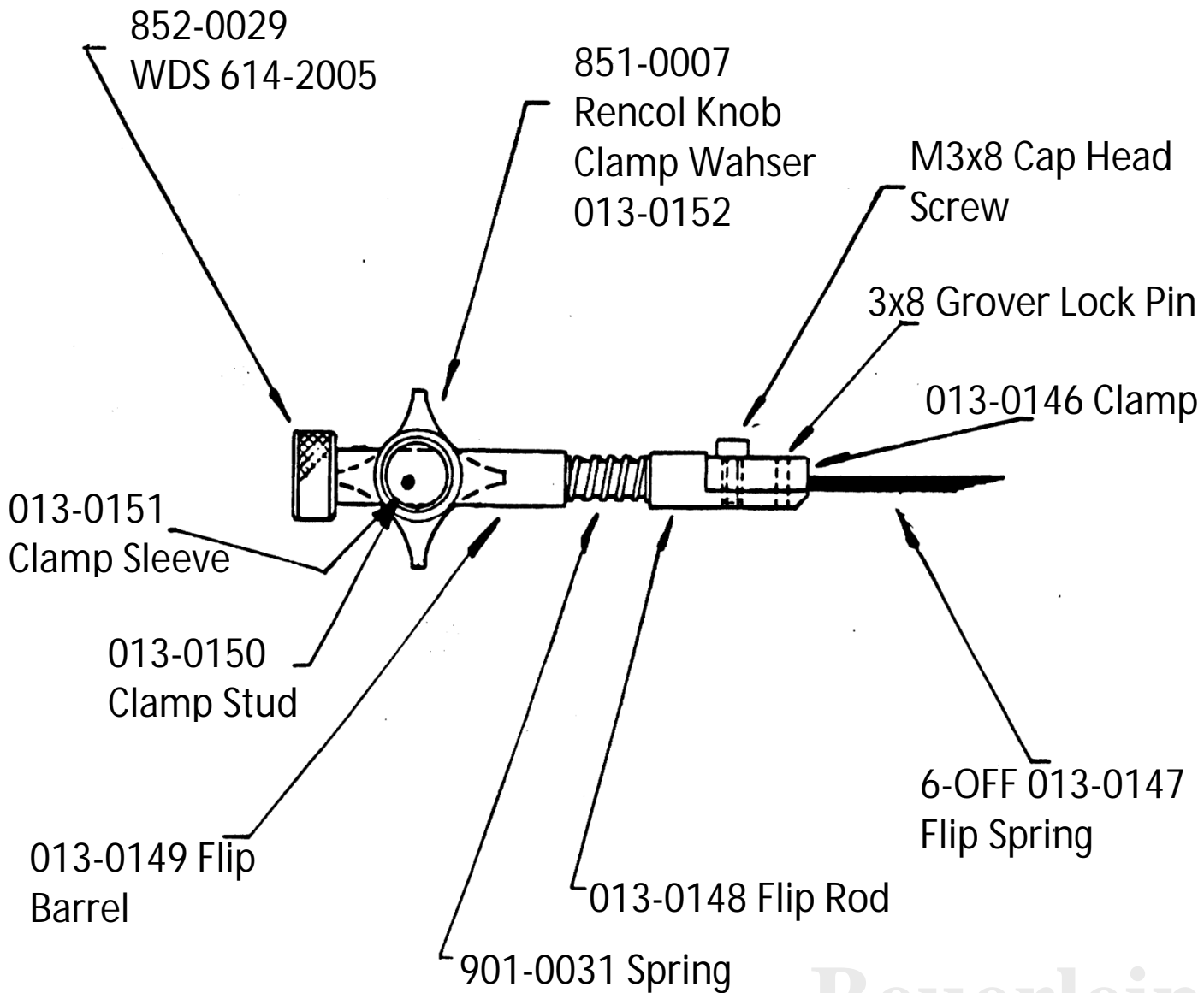


	Machine unit description	Page
HTB	Separator head assembly	13-5008

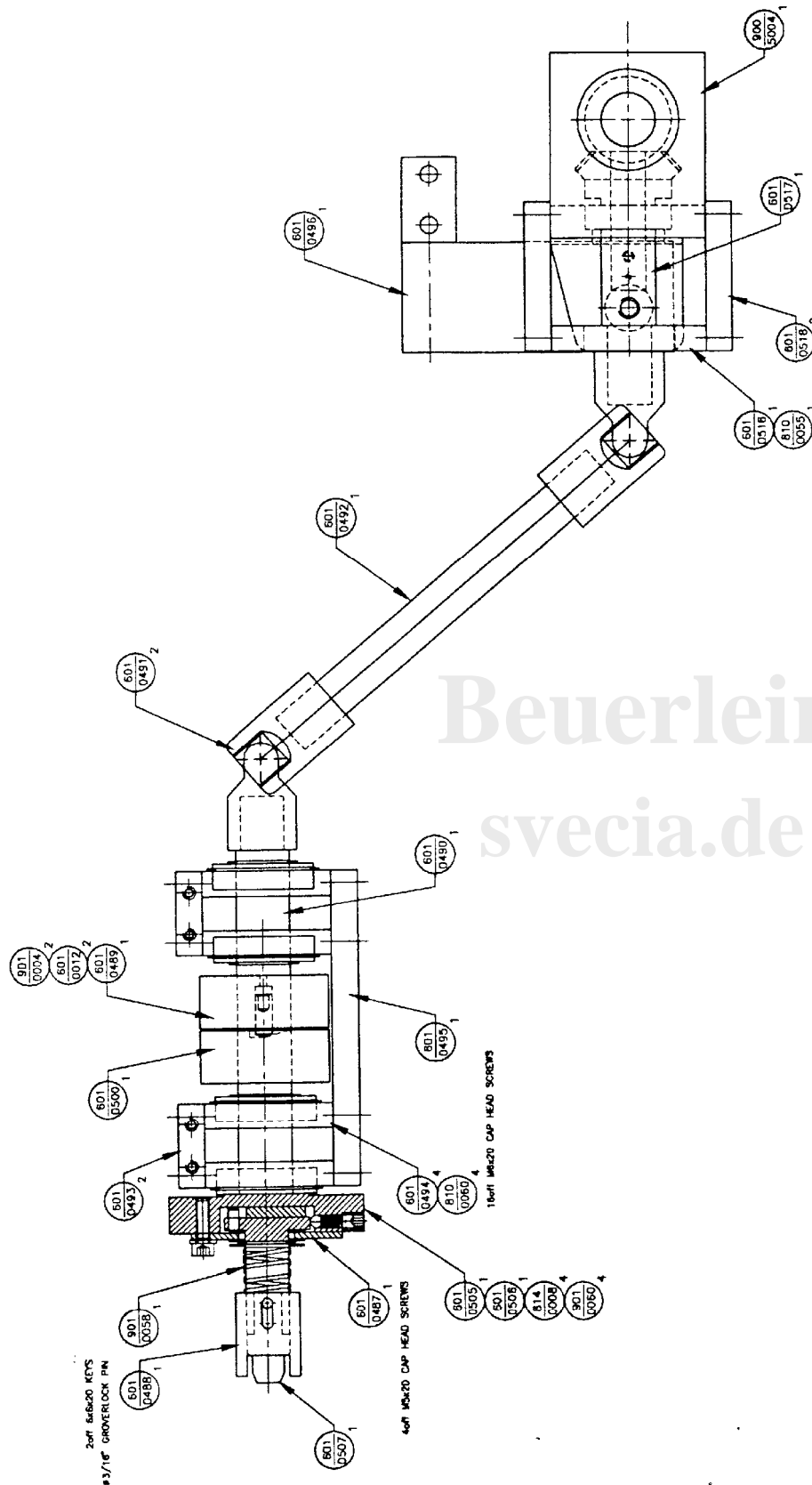
Item	Part no	Description
1	013-0004	Track Cam
2	013-0015	Lifting Sucker Guide Track
3	013-0022	Roller
4	013-0023	Roller Carrier
5	013-0024	Spacer
6	013-0025	Pivot Pin
7	013-0076	Cam Striker
8	013-0079	Actuation Lever
9	013-0135	Spacer
10	013-0136	Spacer
11	811-0042	Needle Bearing
12	813-0002	Cam Follower
13	013-5006	Separator Side Frame
14	013-5001	Lifting Sucker Assembly
15	013-0014	Separator Head Clamp Bar (not on drawing)
16	865-0001	Griflex Hose (not on drawing)
17	901-0052	Spring Extension (not on drawing)
18	M5x20	Cap Head
19	M6x30	Cap Head
20	M6x35	Cap Head
21	M5	Full Nut
22	M5x10	Grub Screw
23	M6	Nyloc Nut
24	M6	Shakeproof Washer
25	1/8	Grover Lock

Beuerlein
svracia.de

	Machine unit description	Page
HTB	Separator head assembly	13-5022



Beuerlein
svecia.de



Beuerlein
svectia.de

Part No	Iss	Description	
601-0012/ /	0	DRIVE PIN	
601-0488/ /	0	DRIVE DOG	
601-0489/ /	1	CLUTCH DOG	
601-0490/ /	1	STUB SHAFT (CLUTCH DOG)	
601-0491/ /	0	UNIVERSAL JOINT	
601-0492/ /	1	DRIVE SHAFT	(500)
601-0493/ /	1	TIE BAR	(1360)
601-0494/ /	1	BEARING BLOCK	
601-0495/ /	1	MOUNTING PLATE	
601-0496/ /	1	SUPPORT BLOCK	
601-0500/ /	0	DRIVEN HUB	
601-0505/ /	1	COUPLING	
601-0506/ /	0	DRIVING DISC	
601-0507/ /	1	STUB SHAFT (DRIVE DOG)	
601-0513/ /	0	COVER PLATE	
601-0516/ /	0	BEARING PLATE	
601-0517/ /	0	SHAFT COUPLING	
601-0518/ /	0	PLATE	
810-0055/ /	0	BEARING	(6004 2Z)
810-0060/ /	0	BEARING	(6005 2RS NR)
814-0008/ /	0	6mm STEEL BALL	
901-0004/ /	0	COMPRESSION SPRING	ETS16
901-0058/ /	0	COMPRESSION SPRING	ETS180
901-0060/ /	0	COMPRESSION SPRING	ETS11